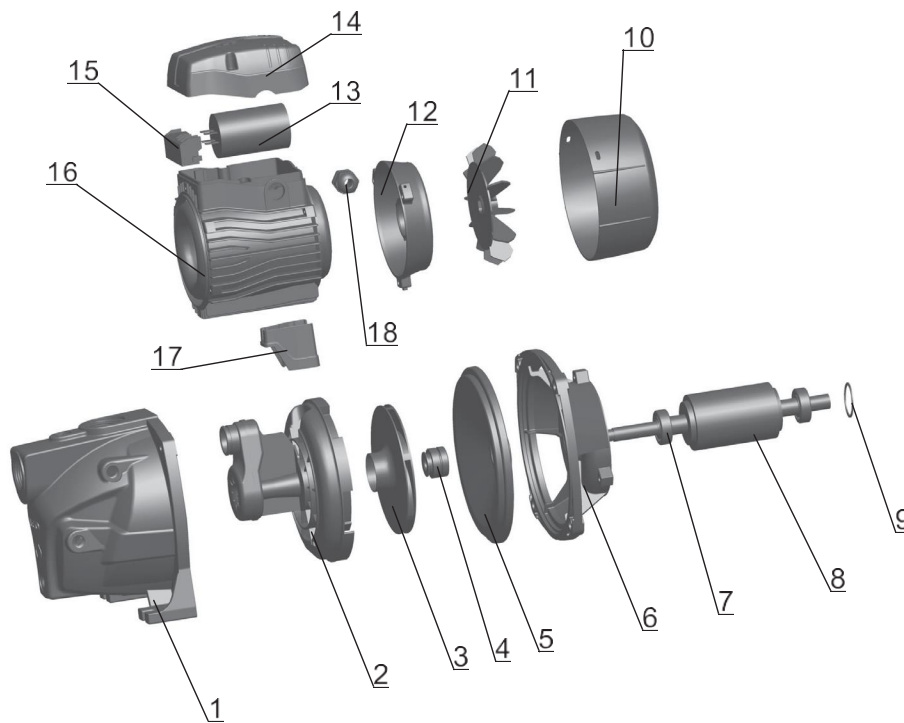


JCP Peripheral Pumps



Parts Designation



1. Pump body
2. Diffuser
3. Impeller
4. Mechanical seal
5. Seal holder
6. Pump support
7. Bearing
8. Rotor
9. Spring washer
10. Fan cover
11. Fan
12. End capacitor
13. Capacitor
14. Capacitor box
15. Terminal board
16. Stator
17. Bracket
18. Cable holder